

WashPay Card Terminal Retrofit Installation Instructions

The Card Terminal will be installed in each wash bay. It contains a paynode, card reader, circuit board, and Stop button. The Card Terminal comes with four pre-drilled holes in the back of the enclosure, allowing it to be surface-mounted, or it can be recess-mounted into a pre-cut hole in the wall of the wash bay. The WashPay Card Terminal is powered from the **24VAC** power from the existing equipment in the wash bay.

Card Terminal Specifications	
Dimensions	10.63" W x 7.56" H x 3.28" D
Weight (approximate)	11 lbs
Power	24VAC, 60Hz
Enclosure	Stainless Steel

1 Installation of Card Terminal Box

Follow these steps to install the WashPay Card Terminal:

1. Disconnect all power routing to existing equipment.
2. Using the Card Terminal dimensions shown in Figure 1, determine where to mount the Card Terminal. Make sure the mounting location is a solid surface
3. Mount the Card Terminal by either attaching it to the wall surface or recess-mounting it into a pre-cut hole (determined by the dimensions in Figure 1).
4. Run the timer, coin input/output, and 24VAC wires from the existing coin meter box to the card terminal.

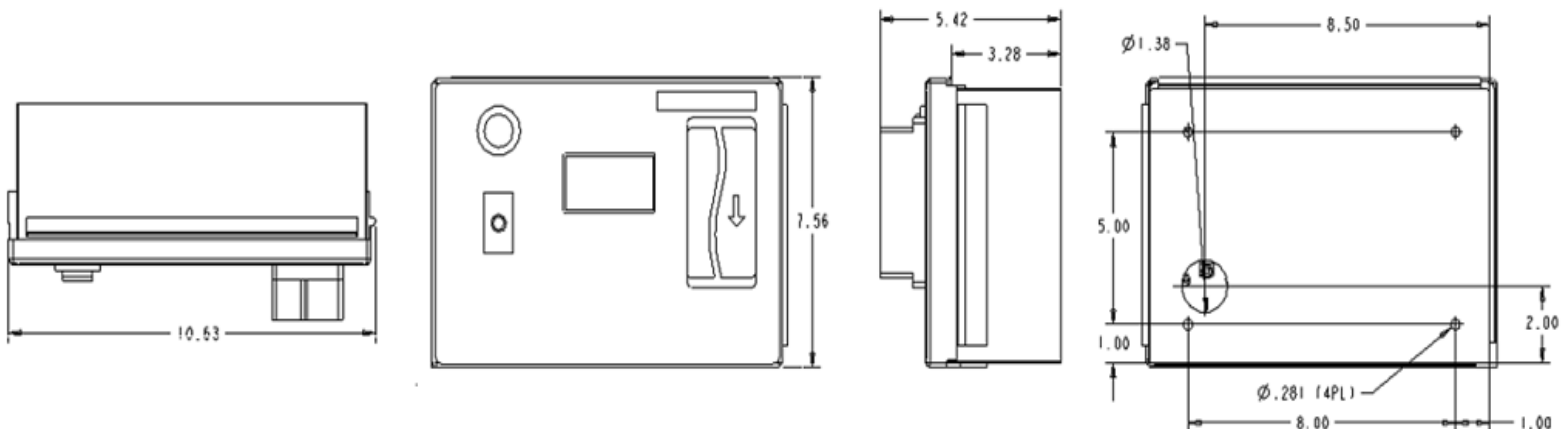


Figure 1. WashPay Card Terminal Dimensions

2 Wiring Connections



Important: Follow local electrical codes!

Equipment Needed:

- Small Screwdriver
- Wire cutters and strippers
- 22AWG wire.
- Wire Nuts or electrical tape,

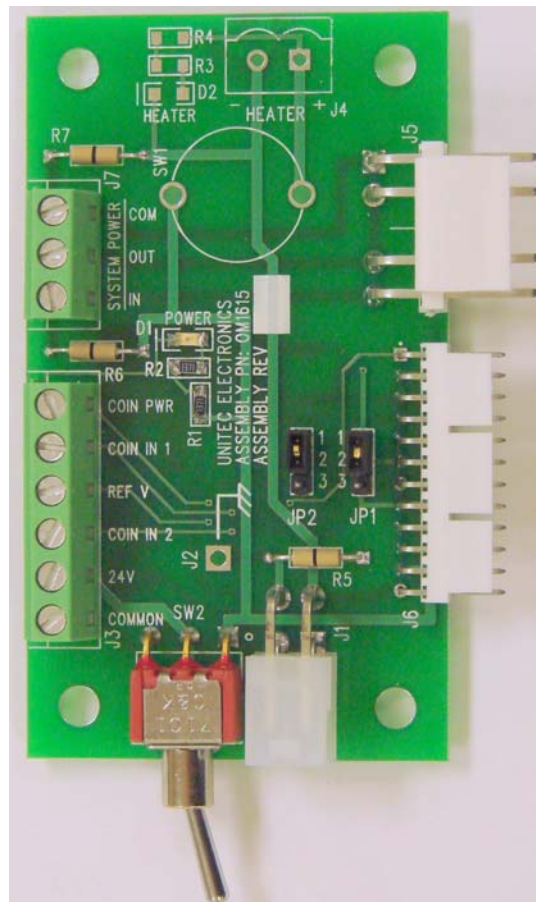


Figure 2. Power Distribution Board

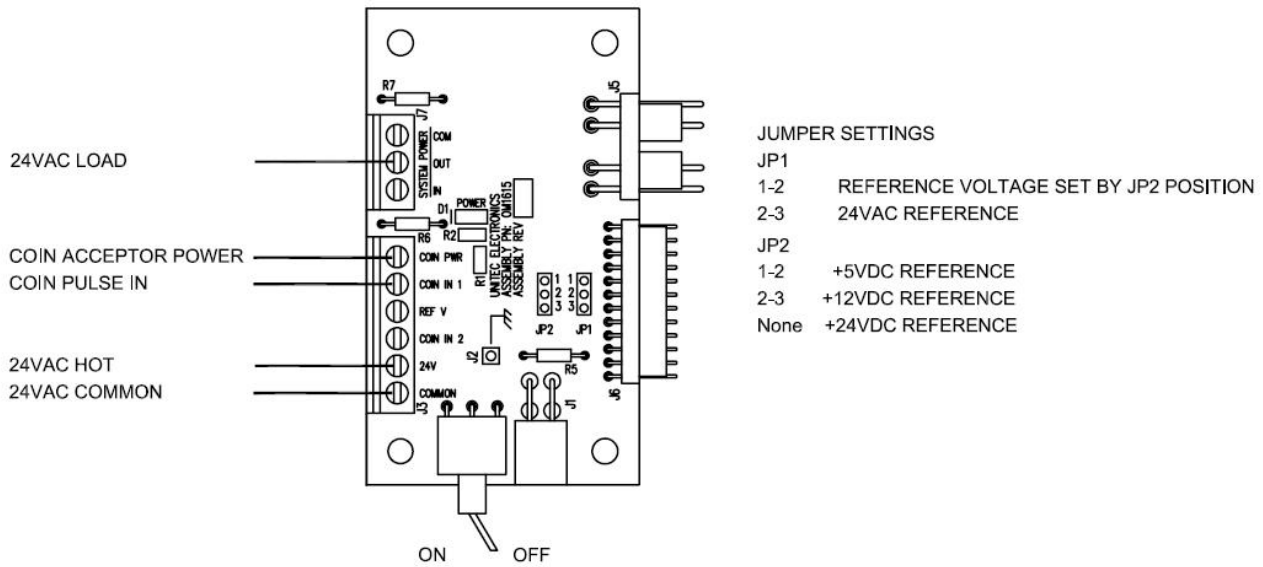


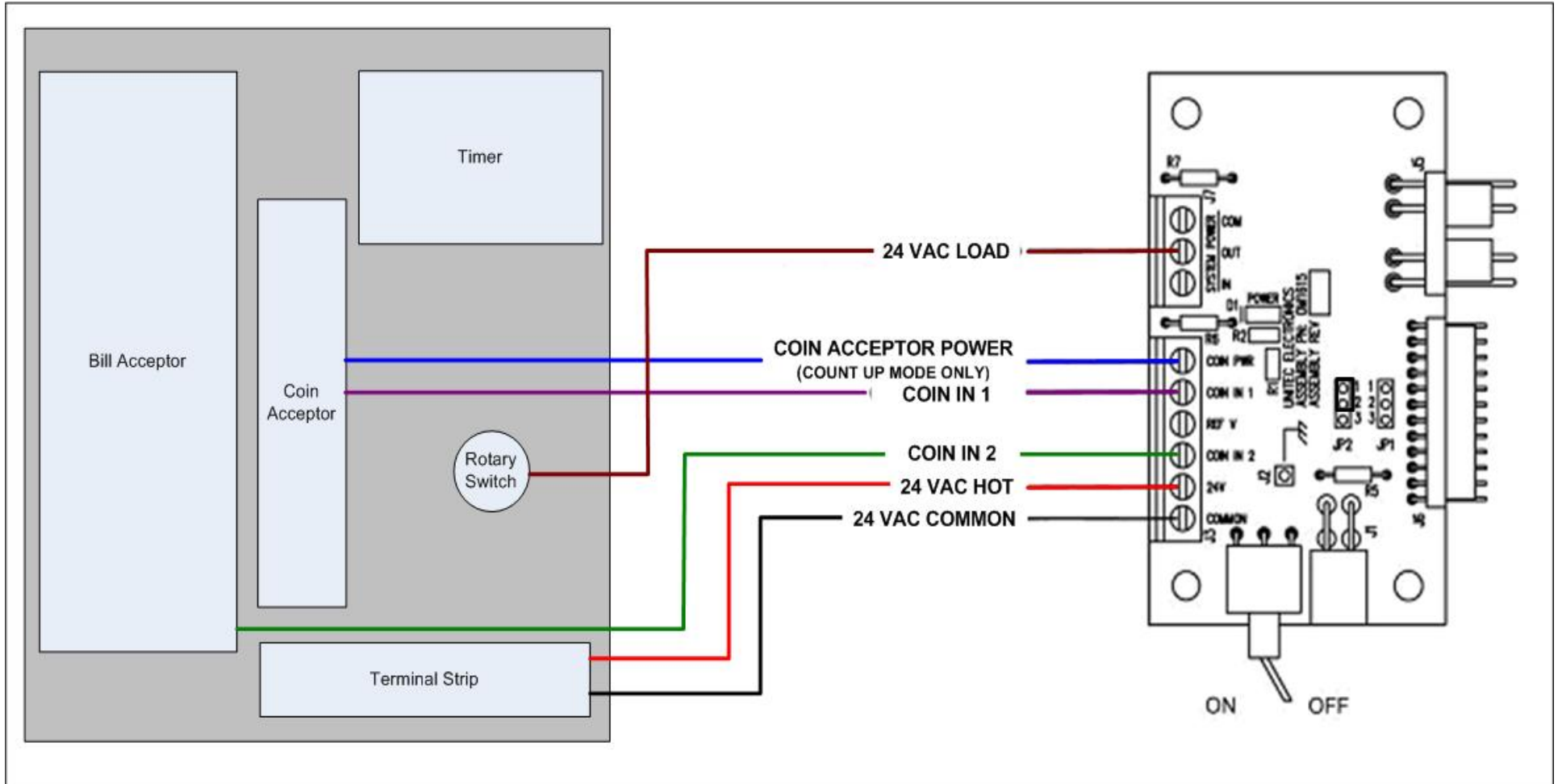
Figure 3. Rev C Power Board Pin-Out Configuration

Table 1. Jumper Settings

Jumper Settings	
Jumper 1	Reference
1-2	Voltage set by Jumper 2
2-3	24 VAC
Jumper 2	Reference
1-2	+5 VDC
2-3	+12 VDC
None	+24 VDC

Table 2. Three-Pin and Six-Pin Terminal Block Wiring for Card Terminal

3-Pin Terminal Strip	
Pin	Function
1	System Power Com
2	System Power Out
3	System Power In
6-Pin Terminal Strip	
Pin	Function
1	Coin Acceptor Power
2	Coin Input 1
3	Reference Voltage
4	Coin Input 2
5	24VAC Input Hot
6	24VAC Input Common



2.1 Connecting to a Dixmor Timer

1. Remove power from the card terminal by moving the Power Switch to the right position.
2. Remove power from the meter box. This may require throwing the breaker in the equipment room.
3. Set the JP1 Jumper to the 1-2 position.
4. Set the JP2 Jumper to the 2-3 position.
5. Locate the Brown wire on the Dixmor Timer cable harness.
6. Trace the wire in order to find the coin acceptor output wire. The colors of the wire on the coin acceptor harness will vary depending on the manufacturer and model being used.
7. Run a wire from the coin acceptor output to the Coin Input 1 on the Power Distributin Board in the card terminal. Coin Input 1 is pin 2 on the 6-Pin Terminal Strip.
8. Pull a CAT5E cable from the patch panel in the office/equipment room to the Card Terminal, using a ¾" to 1" metal conduit. The CAT5 cable should not exceed 300 feet in length.
9. Assemble the Tool-less RJ-45 connector onto the end of the CAT5 cable. Make sure to use the "B" pin-out configuration and that it matches the pin-out configuration of the other end of the CAT5 cable that is plugged into the patch panel.
10. Plug the existing RJ-45 plug inside the Card Terminal into the Tool-less RJ-45 connector.
11. Apply power to the Card Terminal and meter box and test.

2.2 Connecting to an IDX Timer

Background:

Typically an IDX timer will have a coin input circuit that is referenced to +5VDC. This can be confirmed by connecting a multi-meter between the coin input wire and ground. You should measure somewhere around 5VDC. When a coin is deposited in the coin acceptor, the coin input of the IDX timer will be pulled down to ground (0 VDC) for a short period of time. The coin acceptor will then release the coin input and it will return to 5VDC.

In order to connect the card terminal in parallel with the IDX timer, we must set it up so its coin input is also referenced to 5VDC. JP1 and JP2, inside the card terminal, are used to set the reference voltage to one of four voltages. To set the reference voltage to 5VDC, move jumpers JP1 and JP2 to the 1-2 position.

After setting the reference voltage to 5VDC, you only need to connect the coin input from the IDX timer to the Coin Pulse In shown in the above drawing.

Procedure:

1. Remove power from the card terminal by moving the Power Switch to the right position.
2. Remove power from the meter box. This may require throwing the breaker in the equipment room.
3. Set the JP1 Jumper to the 1-2 position.
4. Set the JP2 Jumper to the 2-3 position.

5. Locate the Coin Input wire from the IDX timer.
6. Trace the wire in order to find where it connects to the coin acceptor output.
7. Run a wire from this junction to the COIN IN 1 position on the distribution board inside the card terminal box.
8. Connect 24VAC to the 24VAC Hot and 24VAC Common positions on the distribution board.
9. Connect a wire to from the 24VAC Load on the distribution board to the 24 VAC Load on the IDX Timer. This wire should also be the wiper position of the rotary switch.
10. Apply power to the Card Terminal and meter box and test.

Note: The coin acceptor power connection is optional.

Please refer to the Documents and Downloads tab at www.StartwithUnitec.com for these additional documents:

**WashPay Site Server Installation Manual
WashPay Owners Manual
Sierra Management Application Programming Manual**